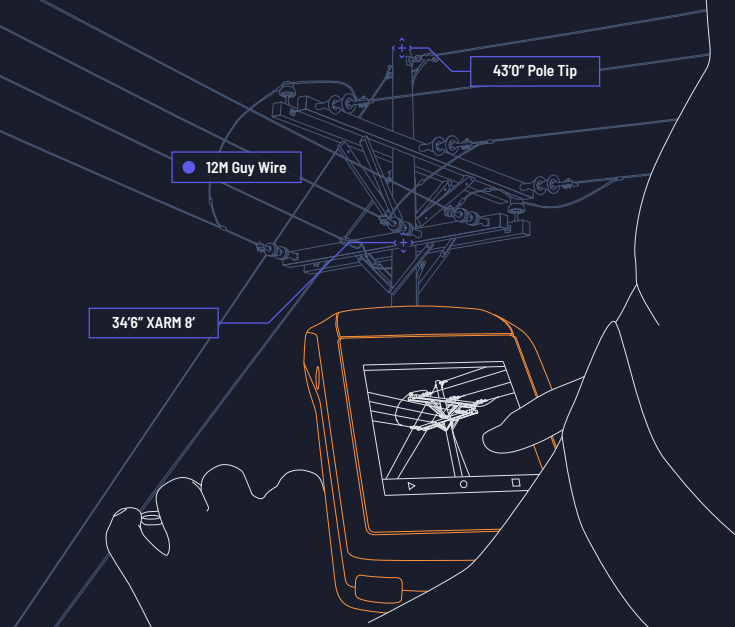


# IKE and IKE+

IKE is trusted by the #1 utility, telecom, and engineering service providers nationwide

Field data collection device for field services who want a device that combines laser measurement, photography, and highly accurate GPS that enables precision measurement of utility poles.

Hardware sold as annual device subscription, works with IKE Office Pro



## Core Benefits



**Drive down collection cost** per pole



**Field hardened device** with long battery life to support you all day in tough conditions



**Eliminate data transcription time** and errors with data on one device



**Capture data quickly through customization** and superior field staff training



**50% time savings** over two man crews



## You're In Good Company



# Device Specifications

## Height of Attachment (with IKE Office)

Accuracy ..... +/- 5cm RMS<sup>1</sup>

### GNSS

Constellations ..... GPS / GLONASS L1/L2

#### Typical Horizontal

Accuracy (R95)..... Standalone       2m  
                              SBAS                     1m  
                              **RTK (IKE+ only)<sup>2</sup>**    10cm

#### Typical Vertical

Accuracy (95%)..... **RTK (IKE+ only)<sup>2</sup>**    20cm

### Camera

Resolution ..... 10 Megapixels within IKE Field application (2808 x 3744 pixels)

## Laser Range Finder

Class ..... Class 1M (IEC60825-1, 3rd Ed and Complies with 21 CFR 1040.10 and 1040.11)

Range ..... 300m

Wavelength ..... 905nm

## Inertial Measurement Unit (IMU)

#### Magnetic Heading

Accuracy ..... 2° RMS

Pitch / Roll Accuracy ..... 0.5° RMS

## System

#### Memory &

Data Storage ..... 2GB DDR3 (RAM), 16 GB on-board NAND Flash, 32 GB micro SD Card<sup>3</sup>

Operating System ..... Android™ 10

LCD Touch Screen ..... 5" (1280x720), sunlight readable, backlit, touchscreen

Connectivity ..... Wireless 802.11b/g (2.4GHz), 802.11a/n (5GHz), Bluetooth® 4.1 (low energy, smart)

Battery ..... Lithium-Ion Polymer, 3.7 V, 8200mAh (Internal)

Operating Time, 8-10 hour battery life (\*under typical usage)

Charging Time, 4 hours to 80%, full charge 6 hours

## Physical

Dimensions ..... 65 mm (Height) x 96 mm (Width) x 265 mm (Length)

Weight ..... 904g/ 31.89oz

Temperature Range ..... Operating: -10°C to +60°C

Storage: -10°C to +45°C

Dust, Water Resistant .... IP53

Ruggedized for outdoor use

## Accessories

Softcase

Carry Case

AC Charger Input ..... 100 - 240 V AC, 50 - 60 Hz; USB output: 5.0V DC, 3A

Car Charger ..... 12V lighter plug

USB-C Cable ..... Length 1m

Tripod ..... Max height 59in. non-magnetic

Offset Stick ..... Collapsible with 3' and 9' markers

Wire Gauge ..... Plastic, 19 wire sizes

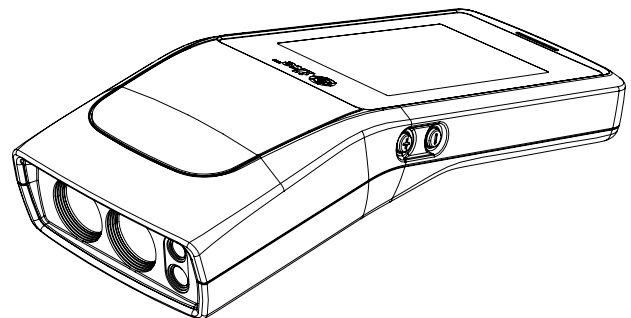
## Software

Android mobile apps for field collection. Data transferred to IKE Office Pro for editing, annotation and engineering services.

<sup>1</sup> 50 ft vertical pole, occupying 90% of vertical camera image

<sup>2</sup> RTK connection requires data connection in the field, and RTK correction service

<sup>3</sup> Not user accessible



## Have questions? Reach out.

### Sales

1-303-222-3218, ext. 2  
solutions@ikegps.com

### Support

1-720-381-1634  
support@ikegps.com

## Key Features

- + Sunlight readable screen
- + Battery life up to 10 hours continued use
- + Data consistency cross engineering providers, regions, and staff
- + One person field collection
- + Measurable images for complex collection requirements
- + Midspan heights and measure equipment bearing
- + Point-to-point measurements for spans and anchors
- + Measure from a safe distance
- + Easily capture reference photos and GPS locations
- + Complete kit including device, case, tripod, offset stick, gauge, chargers, adapters for wall and car
- + Use IKE Office Pro for additional measurements and data correction

## Pricing

Hardware priced as an annual subscription  
(must license IKE Office Pro software)



**24 Million**

pole photos to date

**4.8 Million**

unique poles in IKE Office

**400,000+**

high accuracy locations  
captured using IKE+

## Connect with IKE



### Sales

1-303-222-3218, ext. 2  
[solutions@ikegps.com](mailto:solutions@ikegps.com)



### Support

1-720-381-1634  
[support@ikegps.com](mailto:support@ikegps.com)



### Visit the Website

<https://ikegps.com/ike-office/ike-field-tools/>

## The PoleOS™ Company

We help our customers rise by providing a comprehensive suite of products that enable dramatic productivity benefits when working with utility poles.

### IKE Solutions

[IKE Office](#) / [IKE Structural](#) / [IKE Insight](#)

### IKE Services

[IKE Analyze](#) / [IKE University](#)



350 Interlocken Boulevard, Suite 390  
Broomfield, CO 80021  
+1 303-222-3218  
[www.ikegps.com](http://www.ikegps.com)